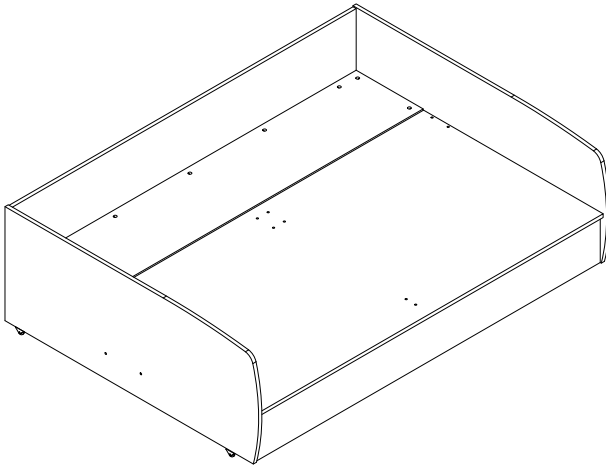




# MULTIMO

## 631-STORAGE BED FULL SIZE



**45**min.



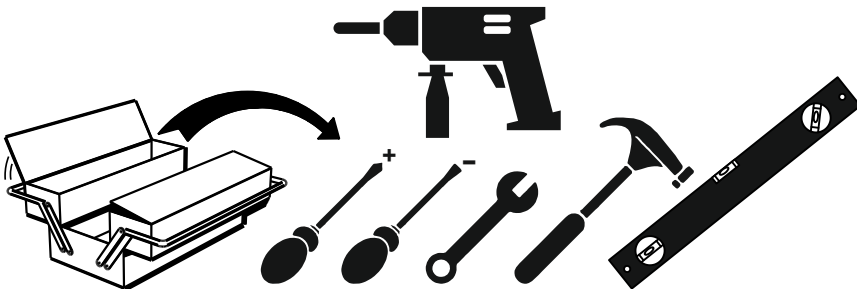
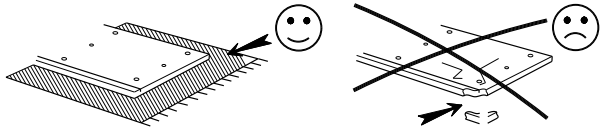
Technical Service



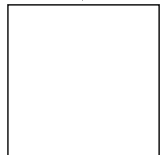
**65**min.



End User



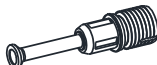






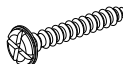

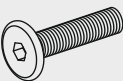
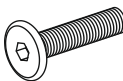




VIDEO

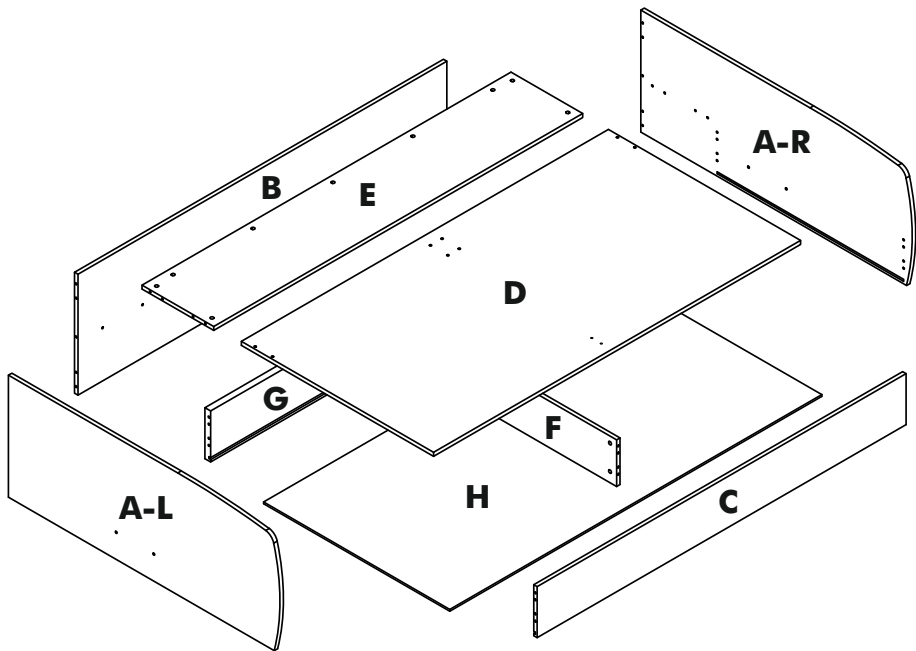


link

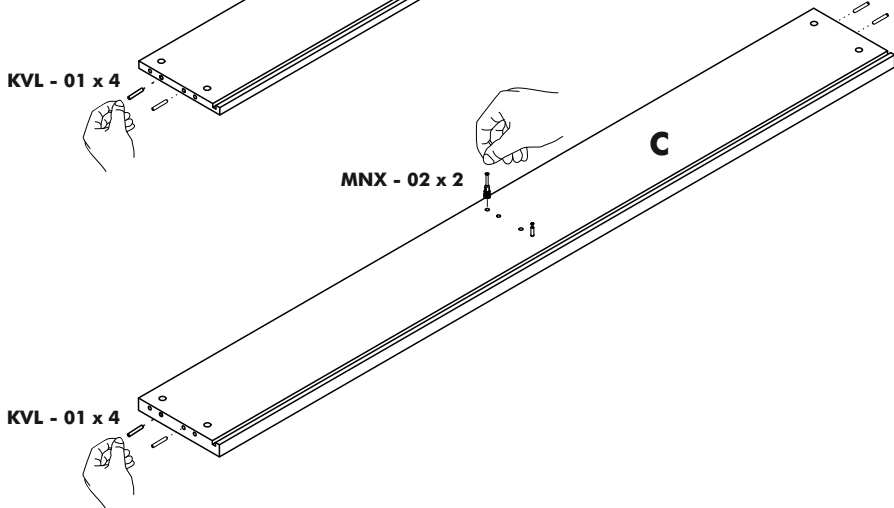
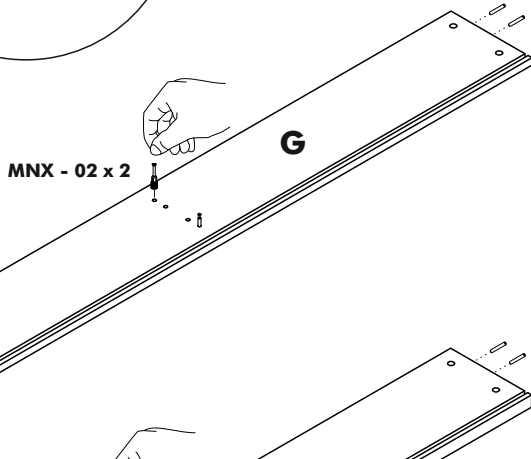
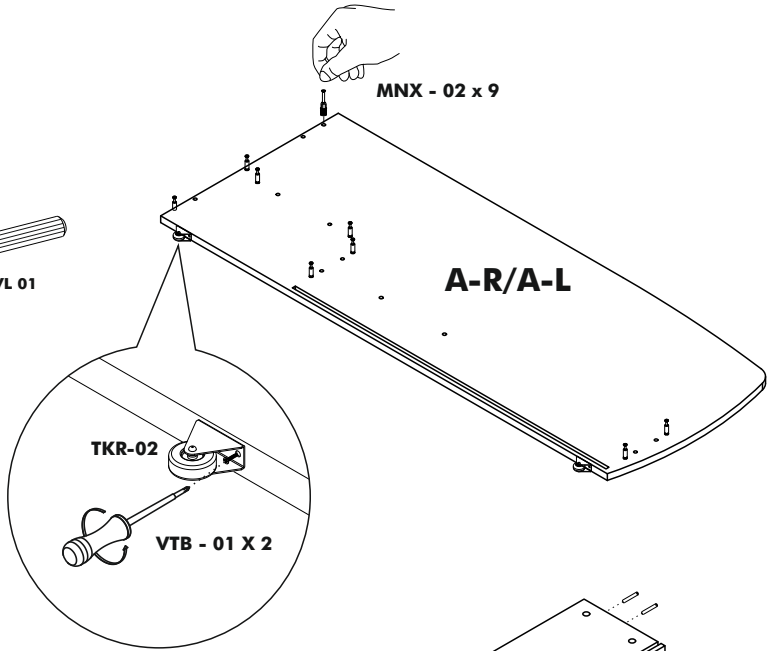
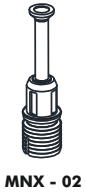
Track Title	Piece	(inch)			(mm)			
		Thickness	Length	Width	Piece	Thick	Height	Most
A-R / A-L		0,71	48,94	21,65	2	18	1243	550
B		0,71	78,74	21,46	1	18	2000	545
C		0,71	78,74	9,06	1	18	2000	230
D		0,71	78,35	32,68	1	18	1990	830
E		0,71	78,74	14,69	1	18	2000	373
F		0,71	30,83	8,27	1	18	783	210
G		1,18	78,74	9,06	1	30	2000	230
H		0,31	79,37	31,46	1	8	2016	799

### Accessories List

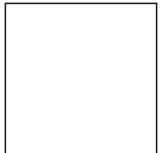
<b>MNX 02</b>  27 / piece	<b>MNG - 01</b>  27 / piece	<b>KVL 01</b>  24 / piece	<b>TAP - 01</b>  27 / piece
<b>VTB - 01 (4,8x16) mm</b>  8 / piece	<b>TKR - 02 (30 mm)</b>  4 / piece	<b>TKR - 03 (42 mm)</b>  2 / piece	<b>VD - 02 (3,5x25) mm</b>  18 / piece
<b>MKS - 01</b>  4 / piece	<b>CT - 04 ( 6x20 ) mm</b>  14 / piece	<b>CT - 05 ( 6x35 ) mm</b>  2 / piece	<b>SN - 01 ( M6 )</b>  2 / piece
<b>PL - 03 (6x12x1) mm</b>  2 / piece	<b>AVT - 01</b>  12 / piece	<b>KP - 05</b>  1 / piece	



**STEP 1**

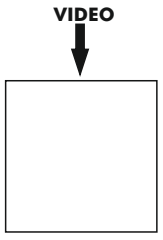
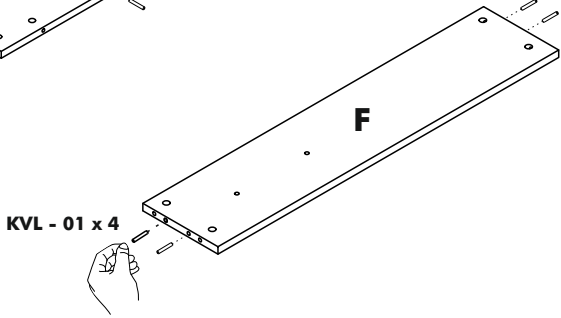
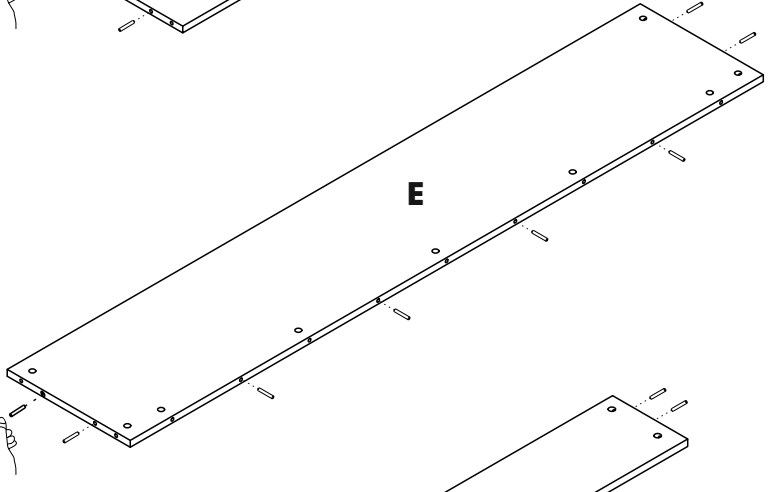
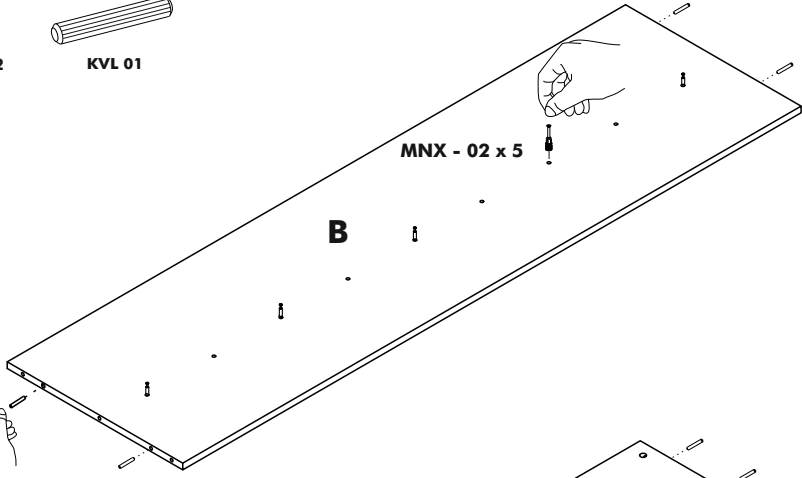
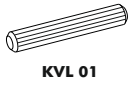


**VIDEO**

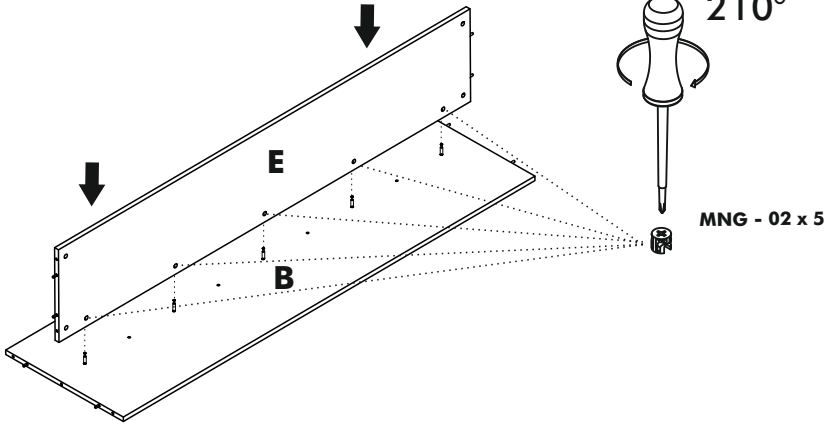


link

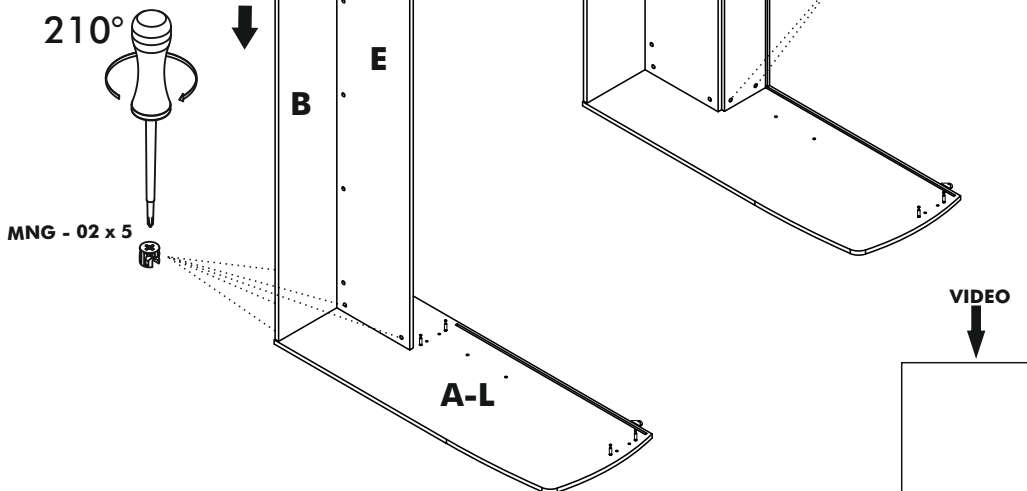
**STEP 2**



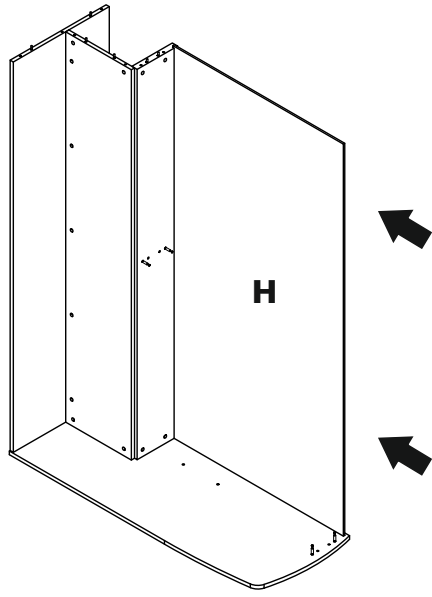
**STEP 3**



**STEP 4**



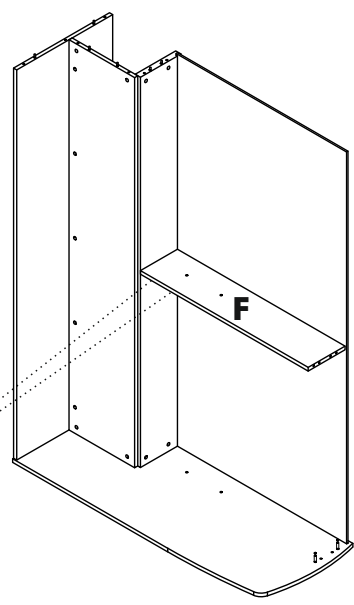
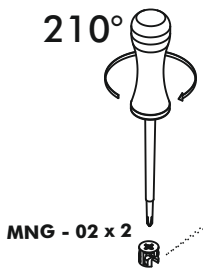
**STEP 5**



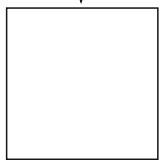
**STEP 6**



MNG - 01



**VIDEO**

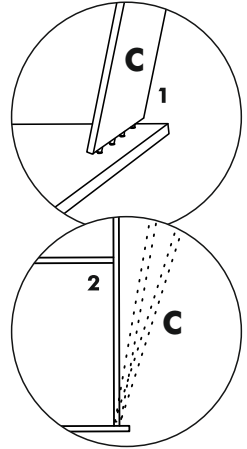
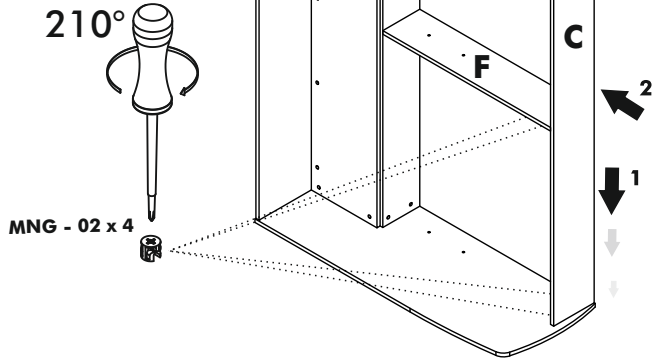


link

**STEP 7**



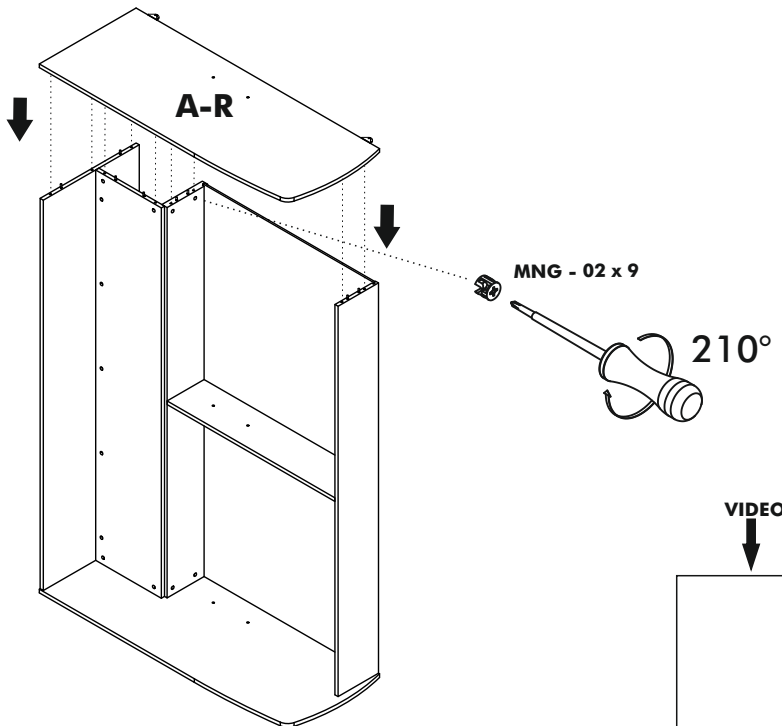
MNG - 01



**STEP 8**

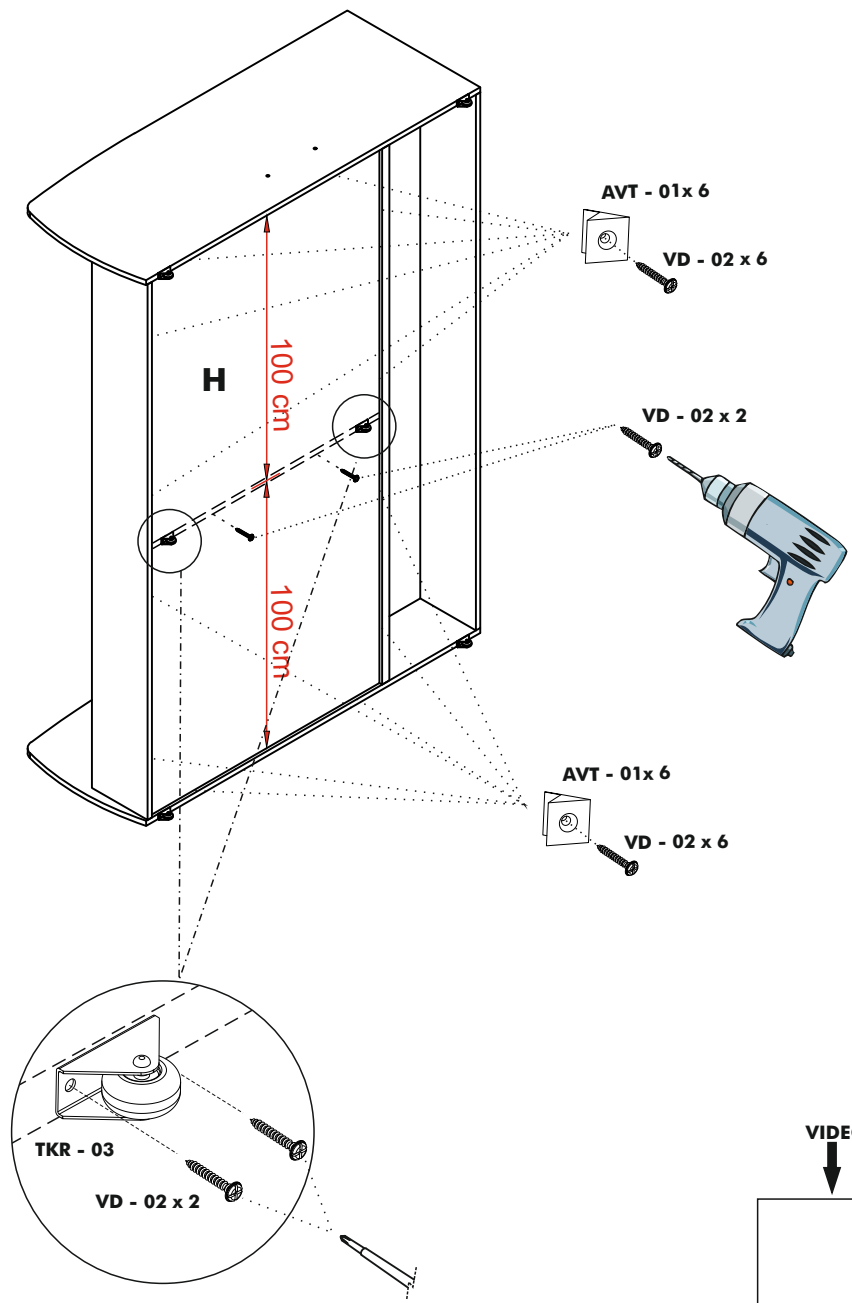


MNG - 01

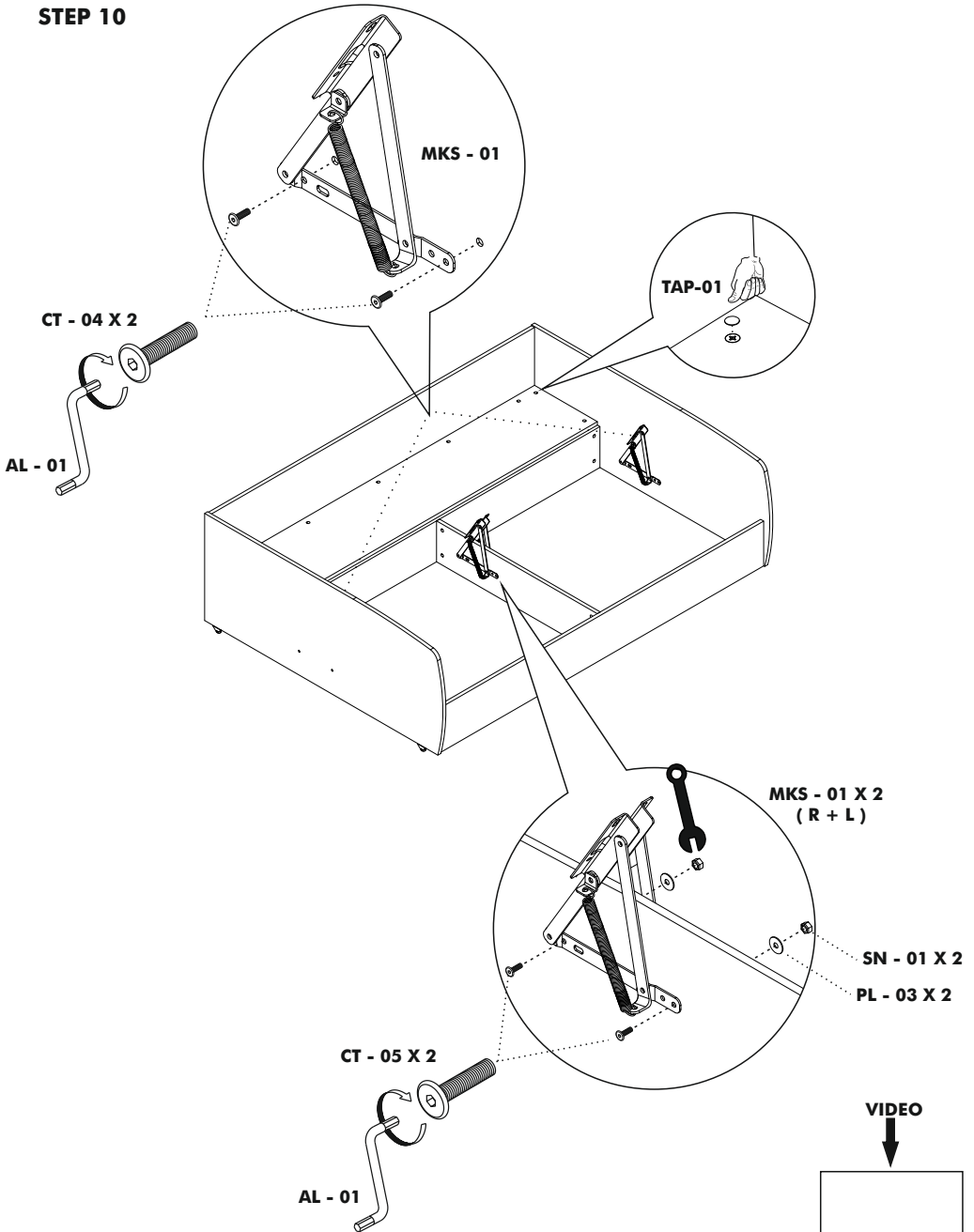




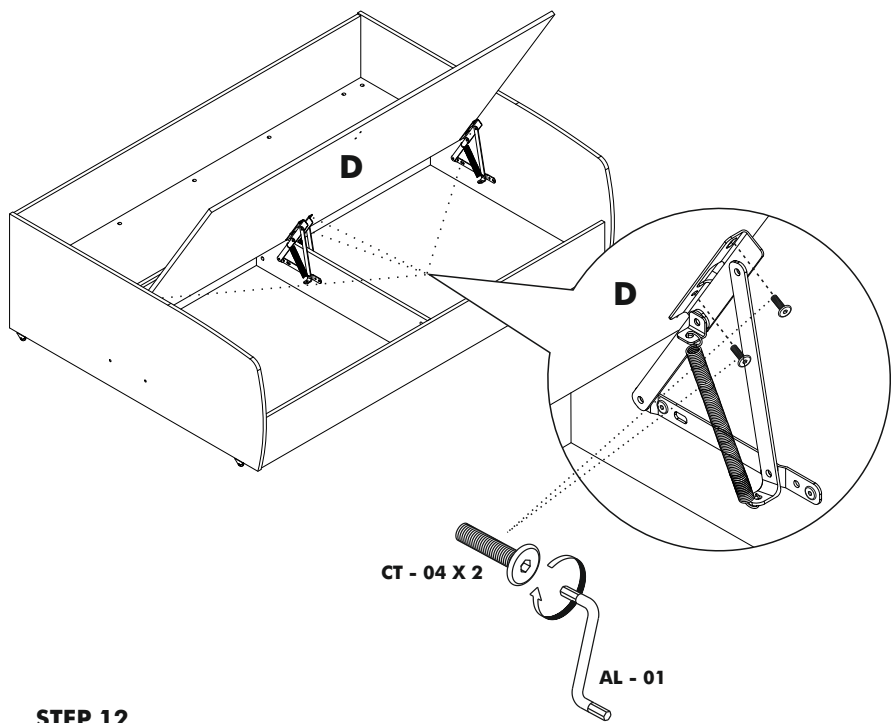
**STEP 9**



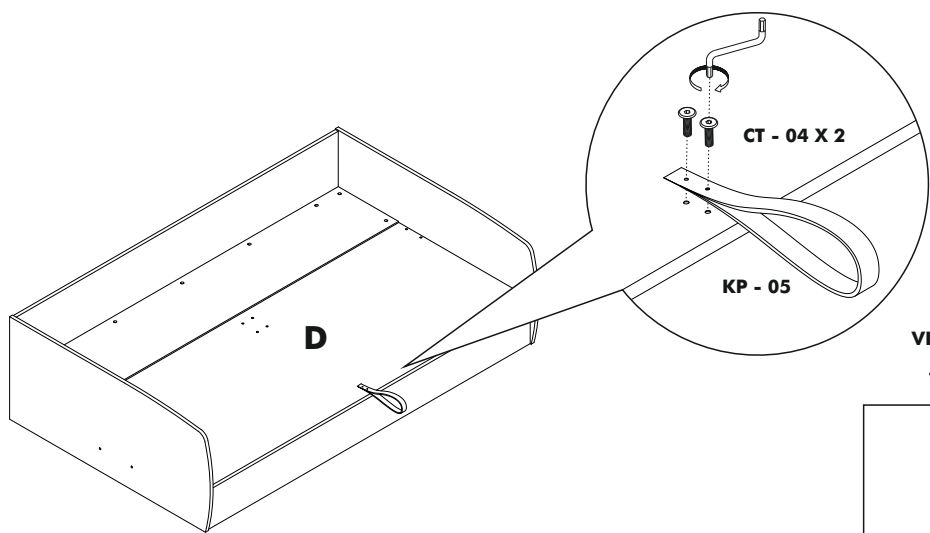
STEP 10



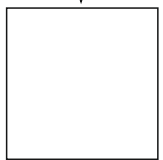
**STEP 11**



**STEP 12**



**VIDEO**



link



**MULTiMO**

[www.multimo.com](http://www.multimo.com)